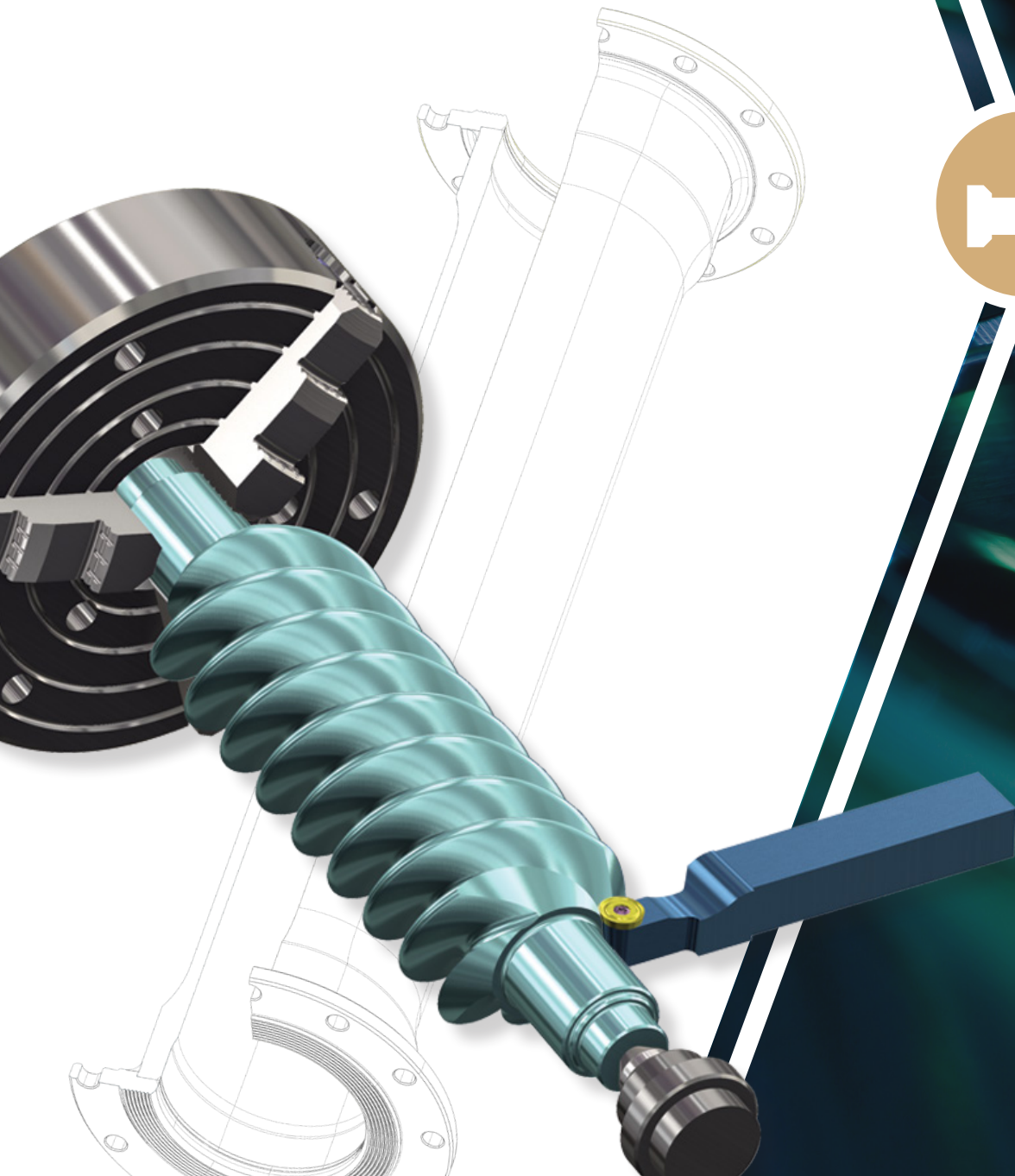


Mastercam

LATHE

Mastercam Lathe lets you move the same part file between milling and turning operations with ease and confidence.



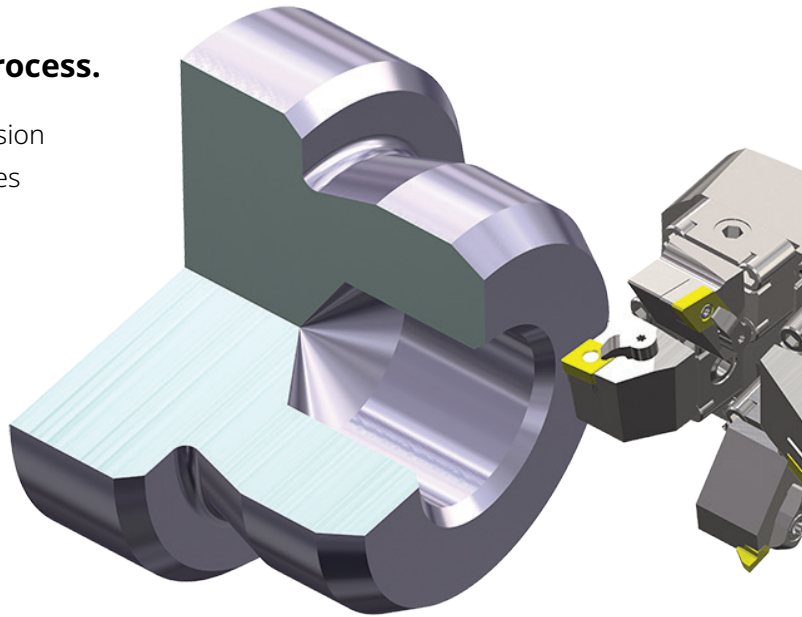
POWERFUL, FLEXIBLE TOOLS FOR TURNING

A set of tools that streamline your entire process.

From importing CAD files to Dynamic roughing and precision finishing, Mastercam Lathe gives you a variety of strategies to turn parts with greater efficiency and productivity.

Efficient programming, designed for modern manufacturing.

Mastercam Lathe delivers a set of easy-to-use, advanced programming tools, with greatly expanded options when paired with Mastercam Mill. Easy rough, finish, thread, groove, bore, and drill routines combine with C/Y-axis machining to cut any job. Dependable toolpath verification ensures your parts are done right the first time.



Fast, easy turning.

- Program in a few clicks with **Quick Toolpaths**.
- Complete threading including **custom thread forms**.
- Grooving with multiple depth cuts, peck motion, and full-radius plunge turning.
- Intelligent ID, OD, face roughing, and finishing.
- **Full milling support available** for machines with live tooling or C and Y axes.

Safe machine and cut control.

- Chuck, part, steady rest, and tailstock detection.
- Automatic gouge checking on the tool's front and back.
- Control chip breakage on difficult-to-machine materials.
- Full collet and solid jaw support.
- Expanded job setup, part transfer, and programming options on select lathes.

SAVE TIME AND MONEY

100 Hastelloy parts cut with and without Dynamic Motion toolpaths.

WITHOUT DYNAMIC



X

\$100/hour machine cost = **\$500**

12.5 inserts per part @ \$25 = **\$312.50**

\$812.50 per part x 100 parts

= **\$81,250**



WITH DYNAMIC



X

\$100/hour machine cost = **\$66**

1.5 inserts per part @ \$25 = **\$37.50**

\$103.50 per part x 100 parts

= **\$10,350**



Cycle time and cost reduction of 87%

Your Dealer:



TECHTOWN PTE LTD
8 Burn Road Trivex, #05-12
Singapore 369977
Tel: +65 6636 8215
Email: info@techtown.com.sg
Website: www.techtown.com.sg

Your Partner in Singapore, Indonesia, Thailand, Vietnam & Myanmar